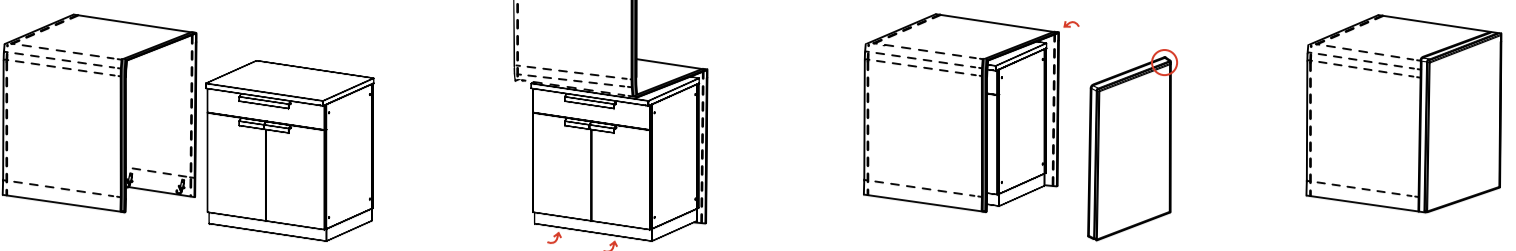


32" Cabinet Cover
(Sku #65820)



Step 1:

Make sure your cover corresponds with the correct cabinet.

Step 2:

Drape the cover over the cabinet, back to front. Then fasten the back and front cover hooks underneath the kickplate.

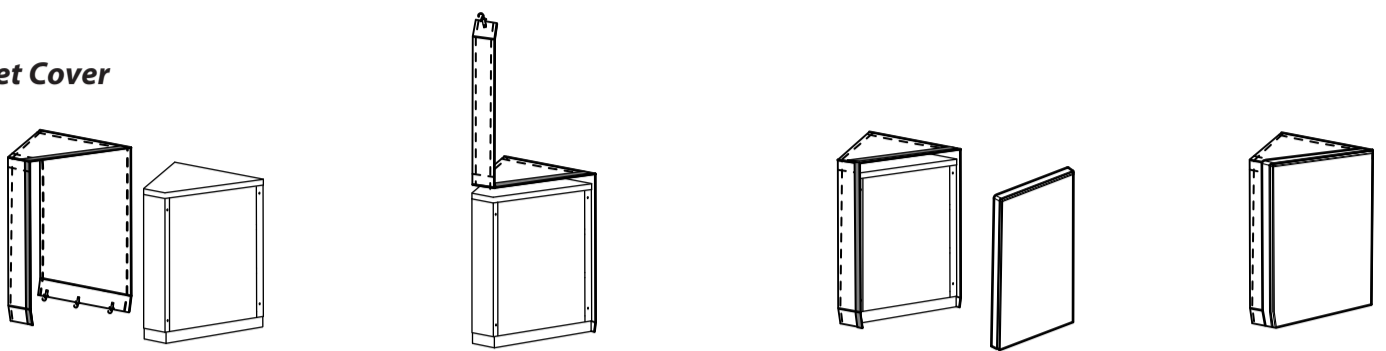
Step 3:

Attach the left and right side panels (Sku #65830) to the cover using the velcro strips. Make sure the velcro strip is exposed on the right side of the cover for easy application, ensuring a weatherproof seal.

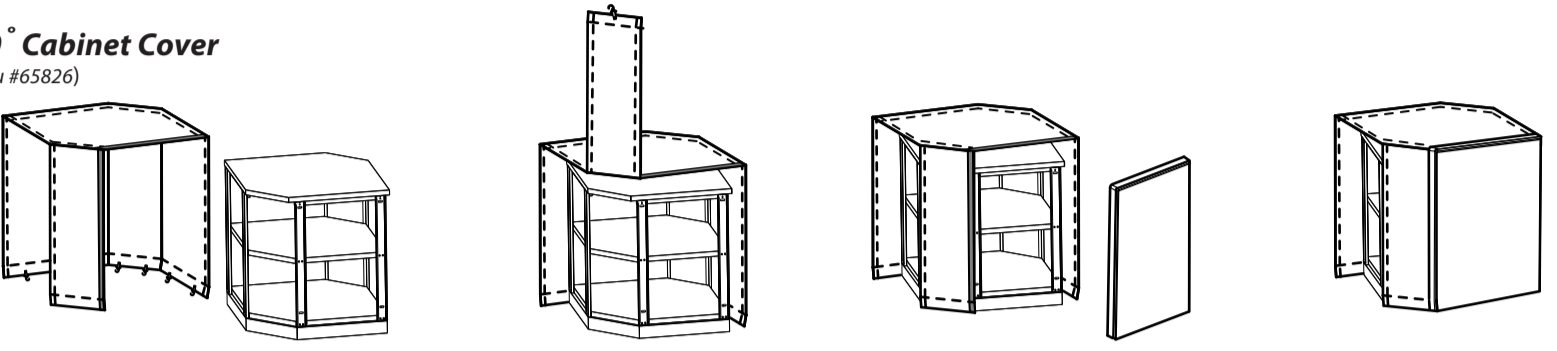
Step 4:

Your outdoor kitchen is now safely covered.

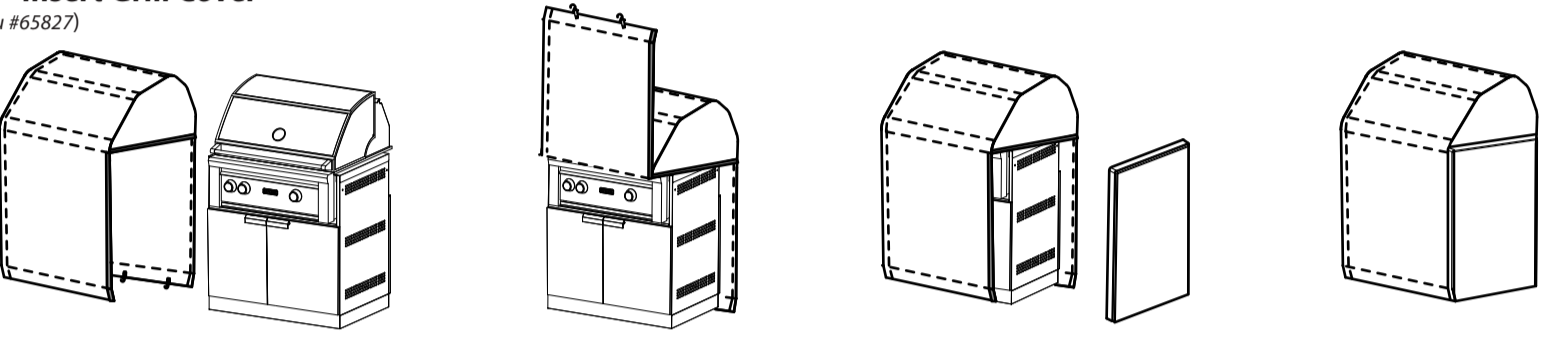
45° Cabinet Cover
(Sku #65825)



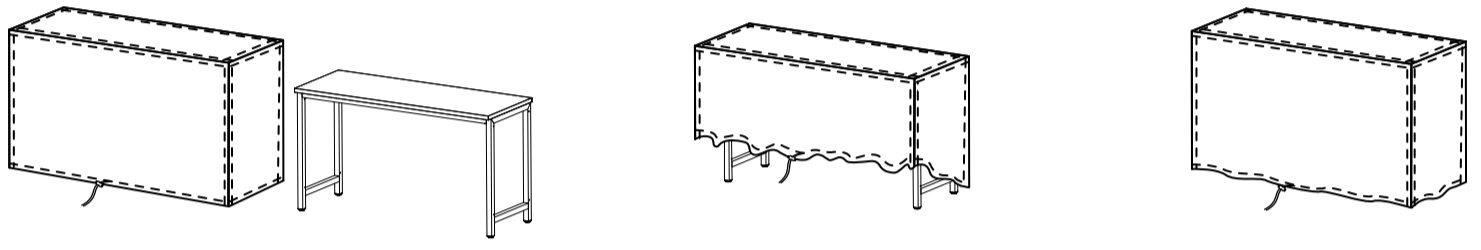
90° Cabinet Cover
(Sku #65826)



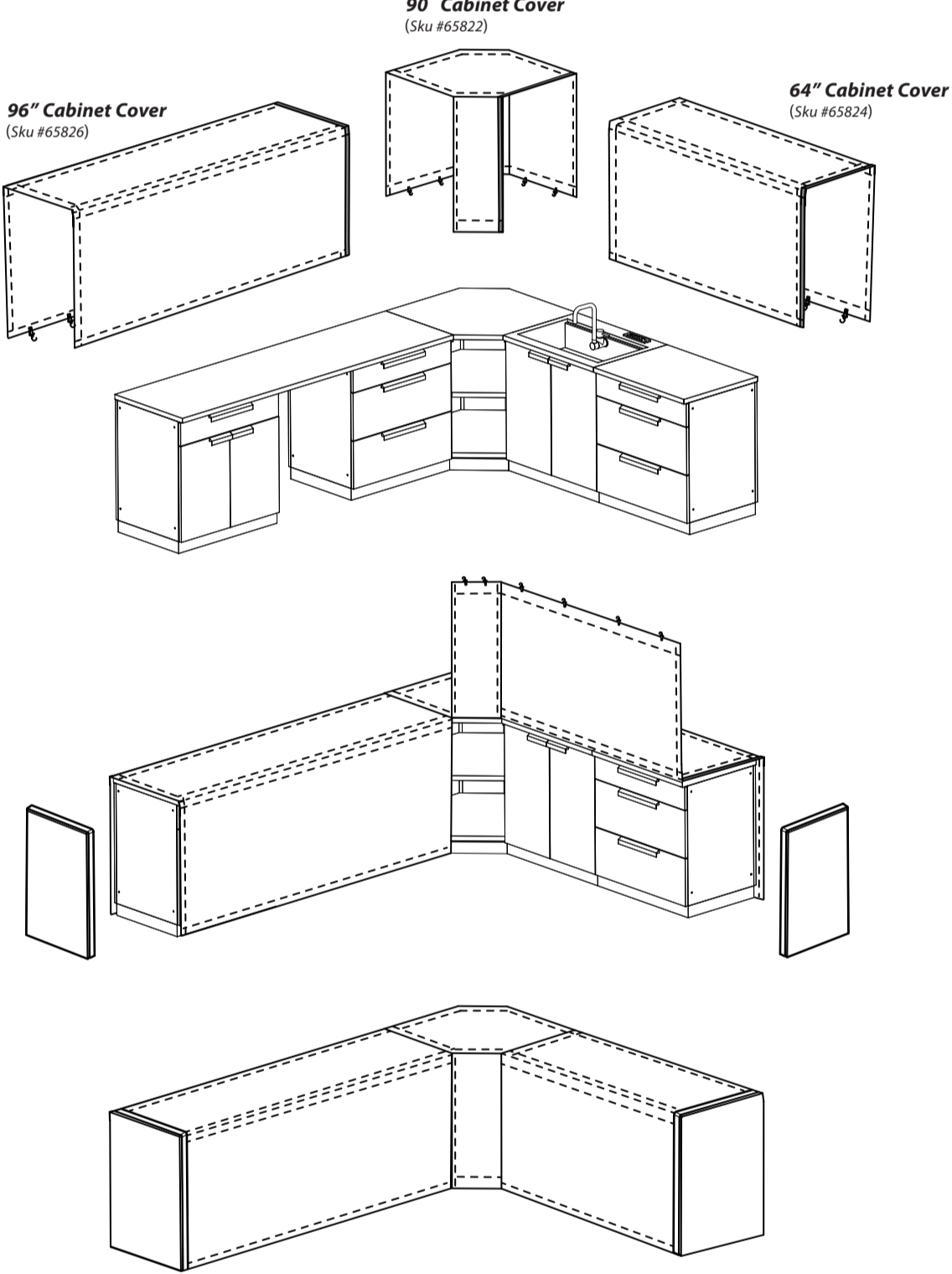
33" Insert Grill Cover
(Sku #65827)



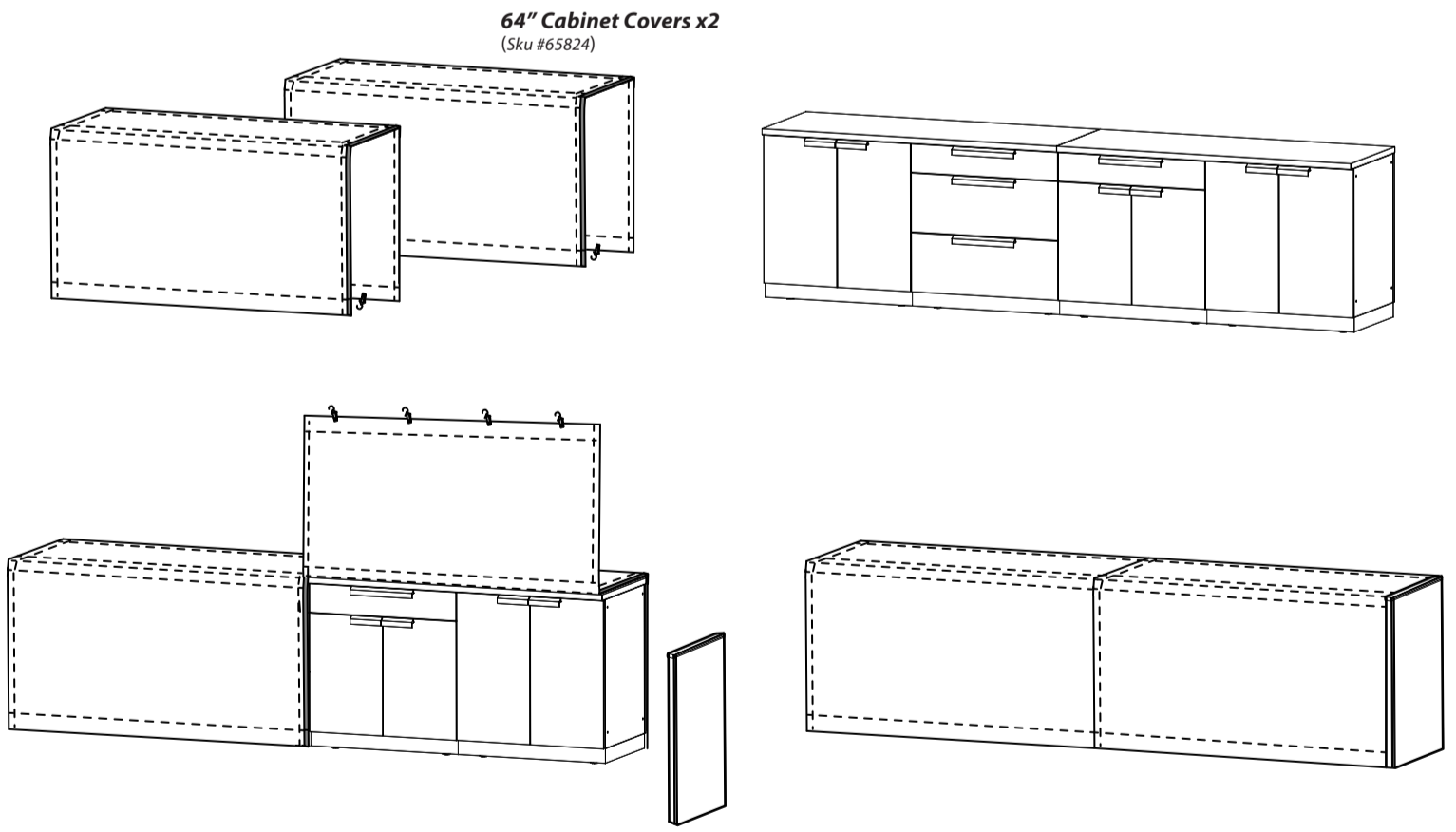
Prep Table Cover (Bar Cart Cover)
(Sku #65829) (Sku #65828)



Kitchen Set of 7 Pieces



Kitchen Set of 6 Pieces



Kitchen Set of 4 Pieces (including Insert Grill)

